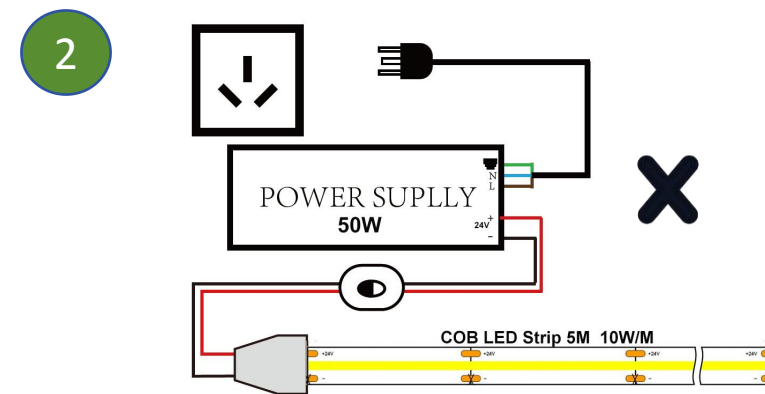
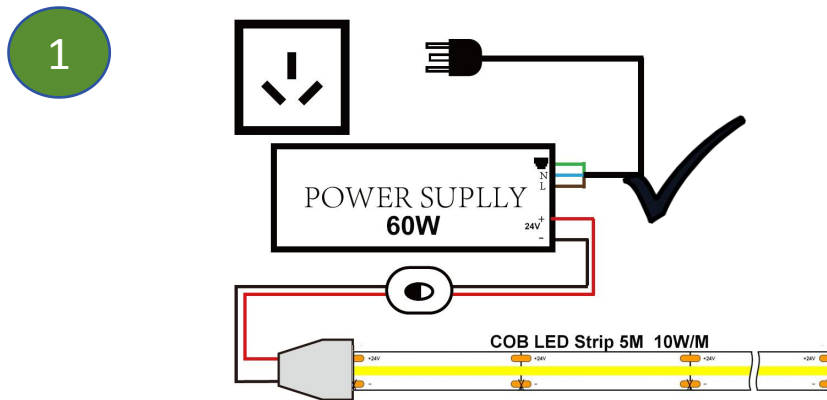


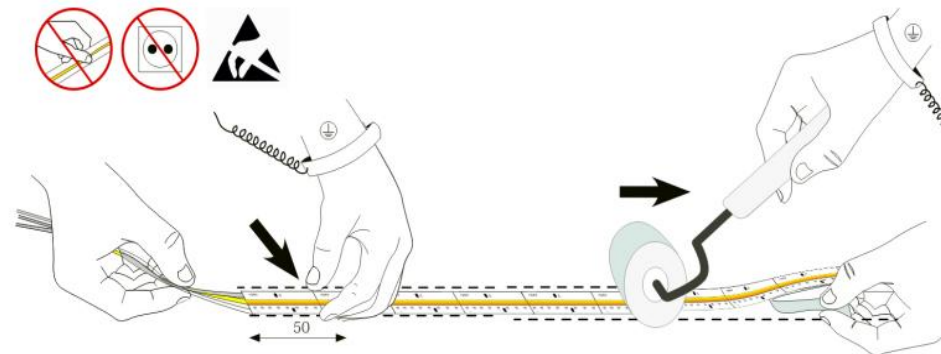
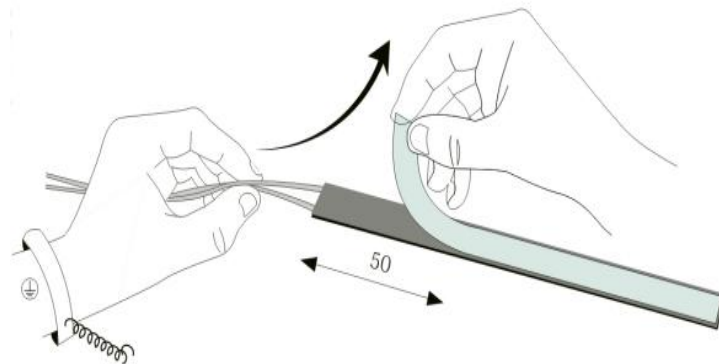
COB LED Strip Installation instruction

1 , Choose a power supply for the LED strips that can handle around 80% of the strip's total power to ensure stable voltage. Avoid fully loading the power supply for optimal performance.



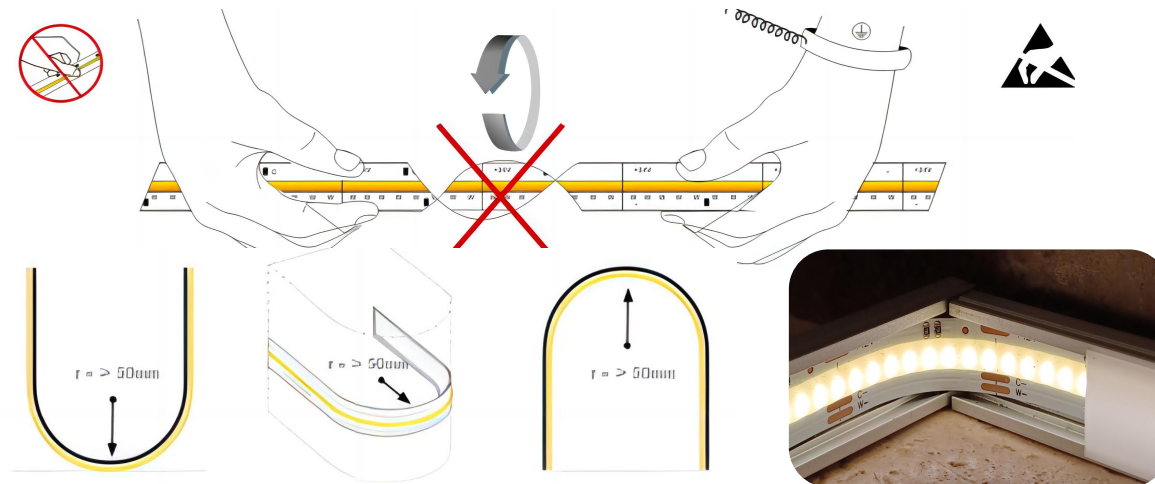
2 , It is recommended to use 5 meters per roll for the LED strip to maintain consistent brightness. If longer maybe have voltage drop.

3 , The adhesive tape on the back of the LED strip provides excellent adhesion and weather resistance, suitable for attaching to transparent glass, metal, and plastic surfaces. However, it may not work effectively on certain surfaces like cloth and wood, potentially affecting functionality and durability. Test the adhesion before installation.



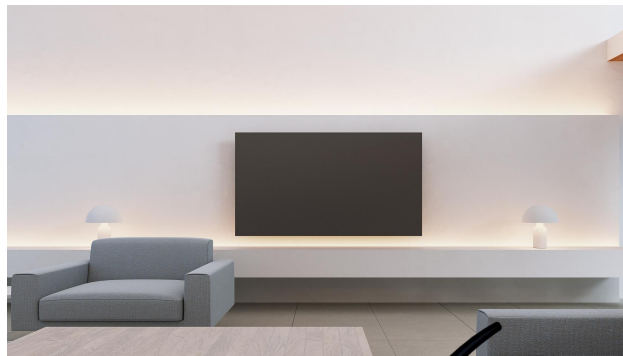
COB LED Strip Installation instruction

4 , Pay careful attention to the minimum bending diameter of 60mm for the LED strip to prevent damage to the Flexible Printed Circuit (FPC) and its components. Mishandling can lead to strip damage.



5 , To ensure waterproofing and corrosion resistance, after screwing the power line into the connector, it is recommended to inject a single-component silica gel (or neutral glass glue or waterproof grease) into the connector. Additionally, cover the exposed copper wire of the power line for added protection.

6 , Non-waterproof LED strips should not be fully exposed to outdoor conditions. Avoid touching or installing the strip while it is powered to prevent accidents.



Indoor



Outdoor

